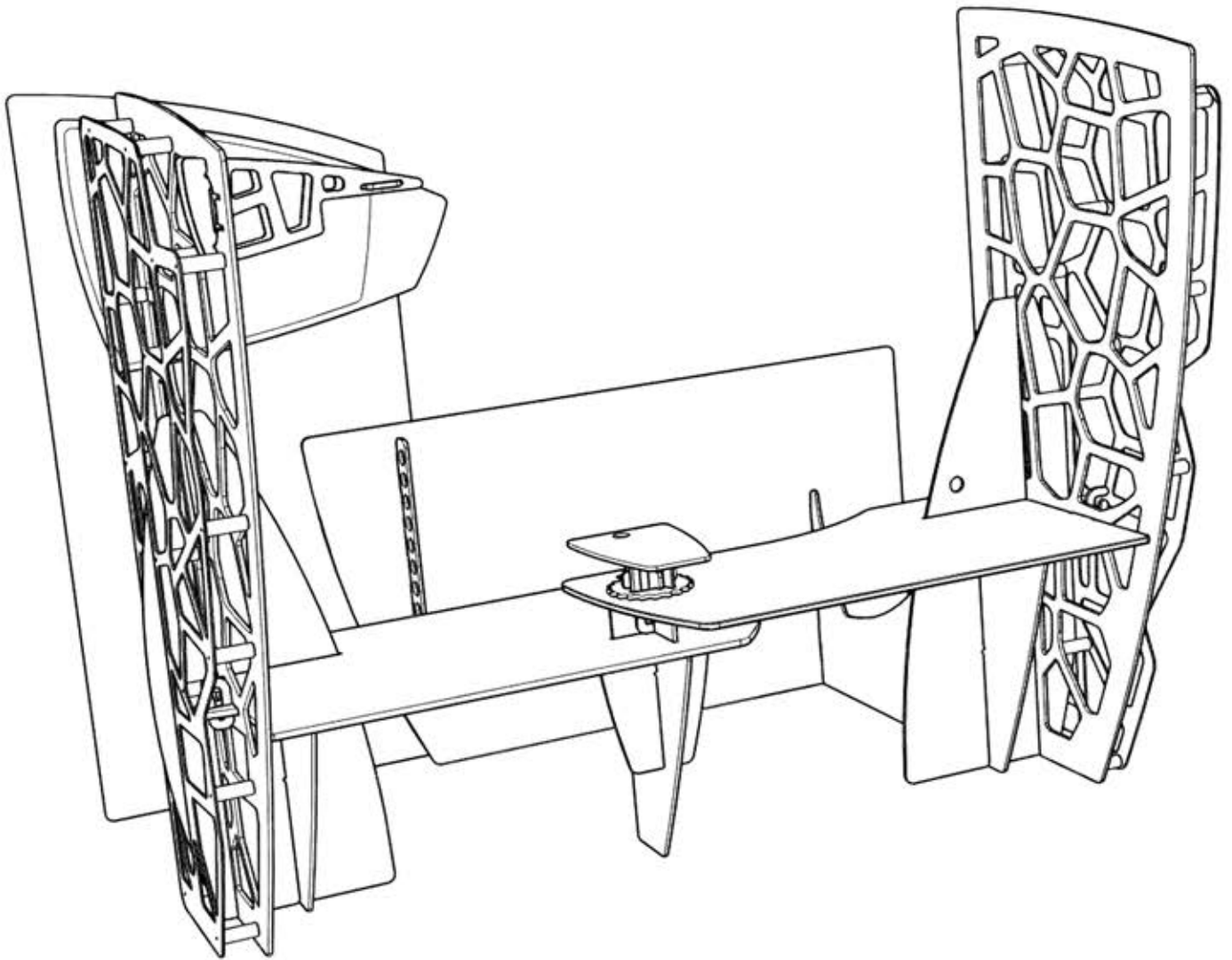
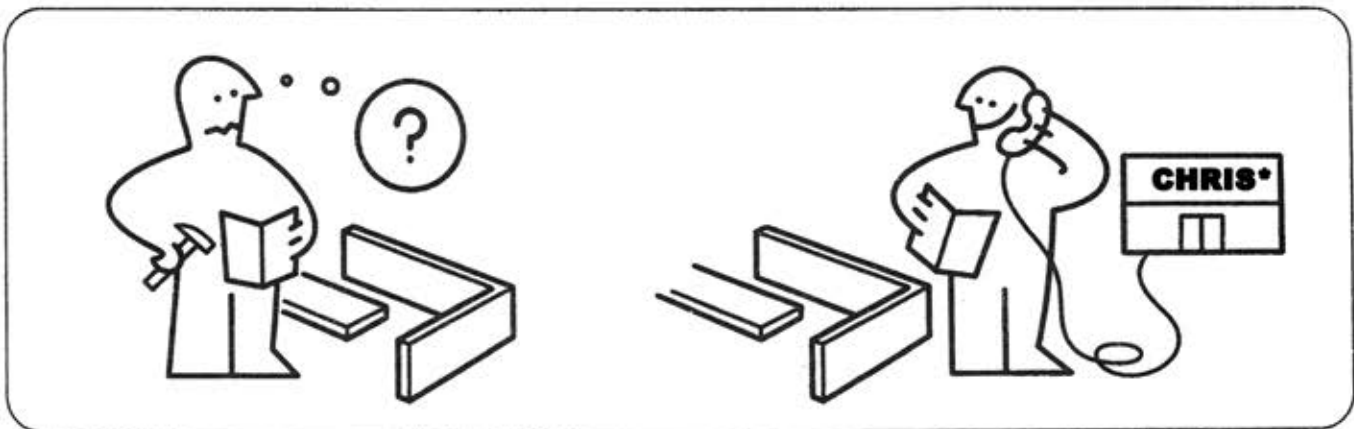
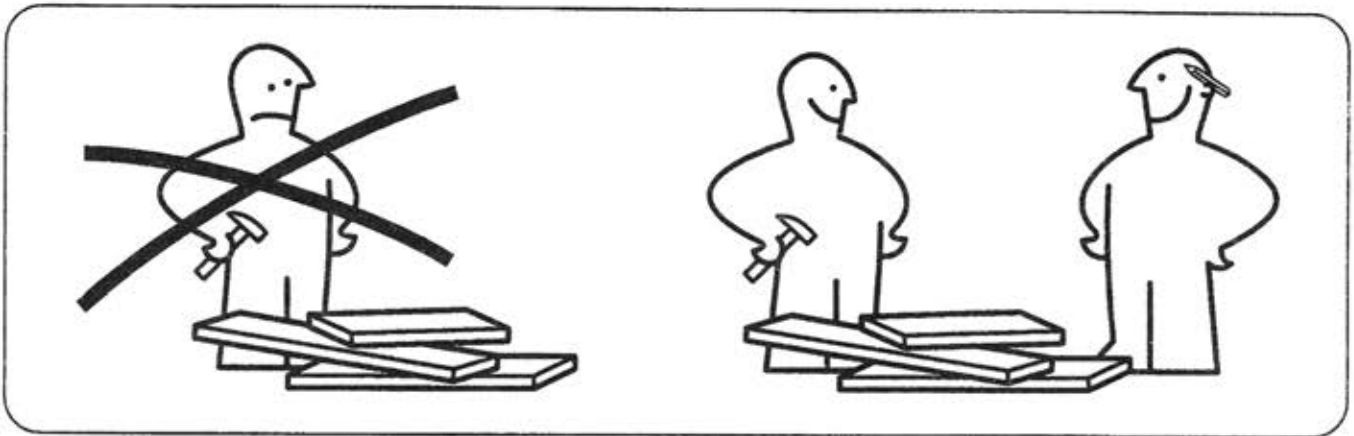
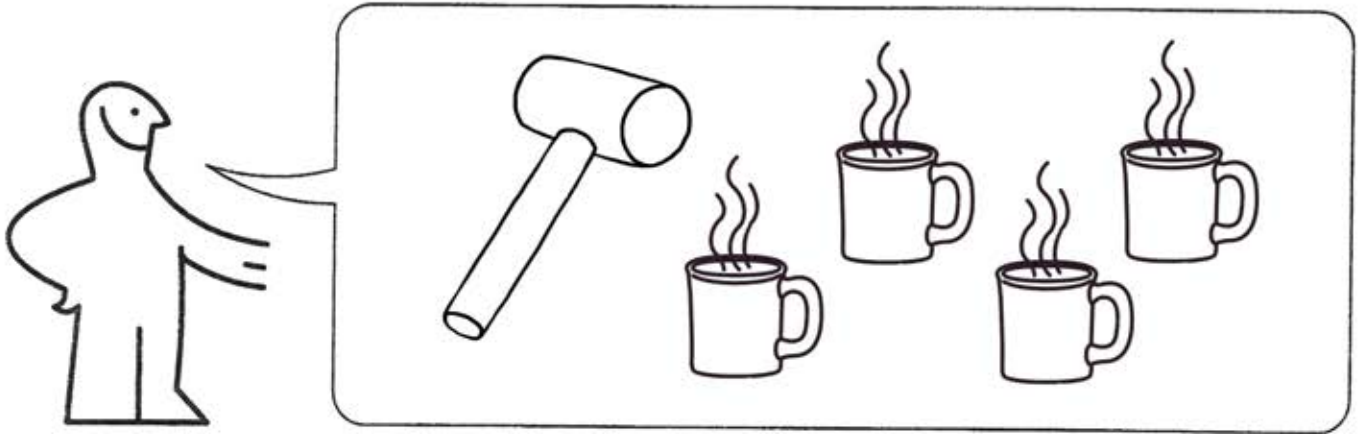
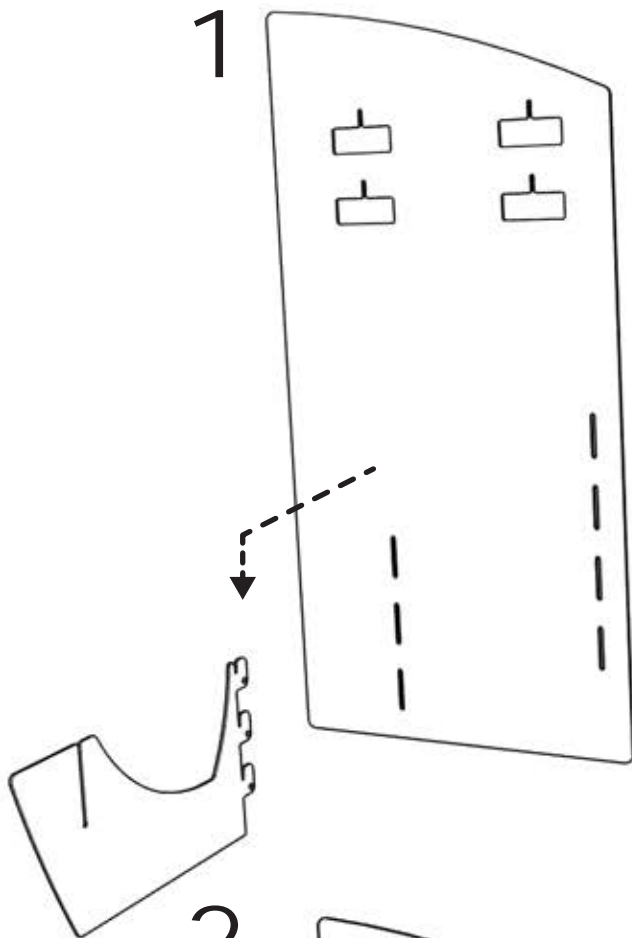


DISPLAY STAND

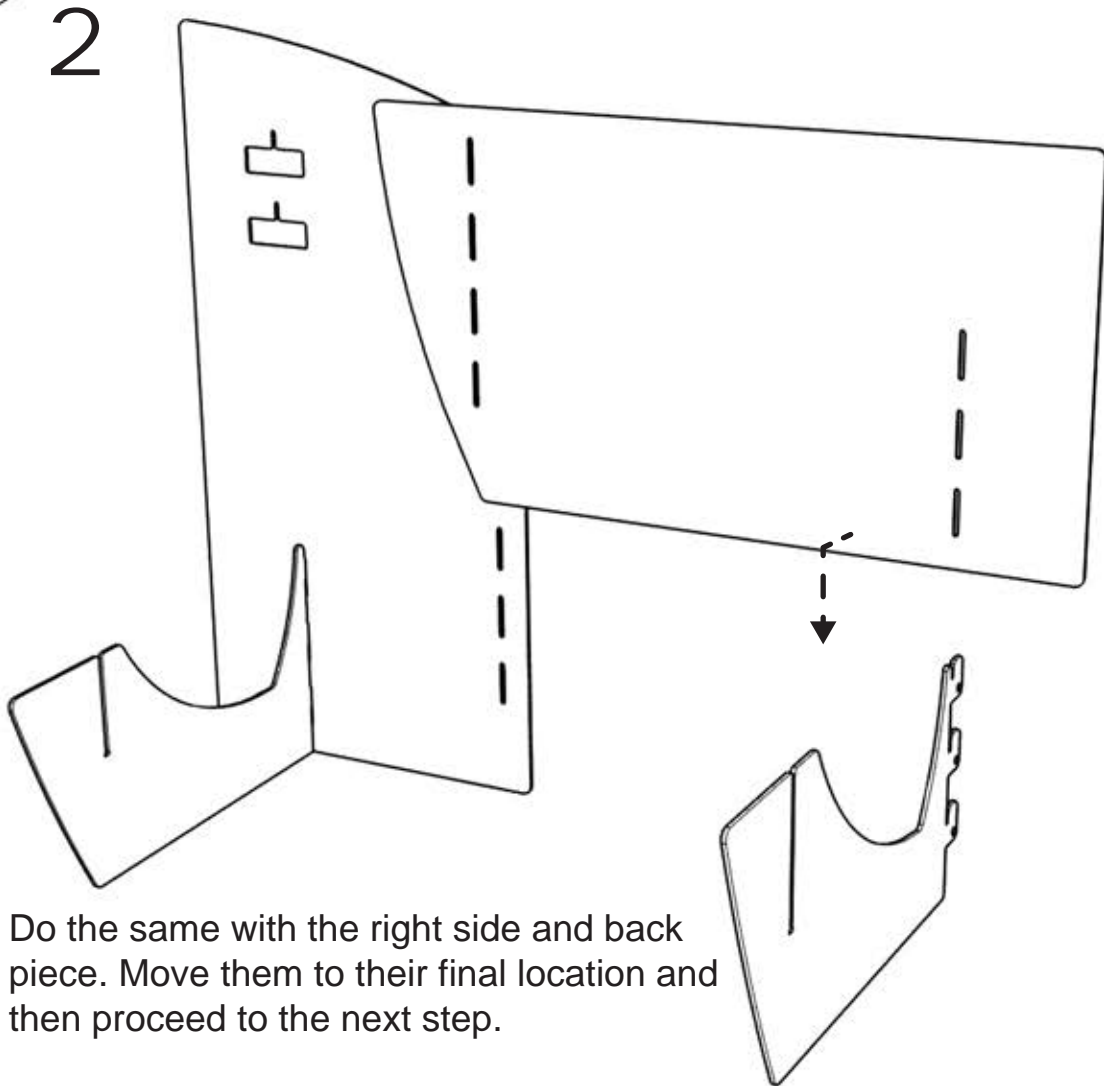


Design and Quality
MAKERS of Cabrillo





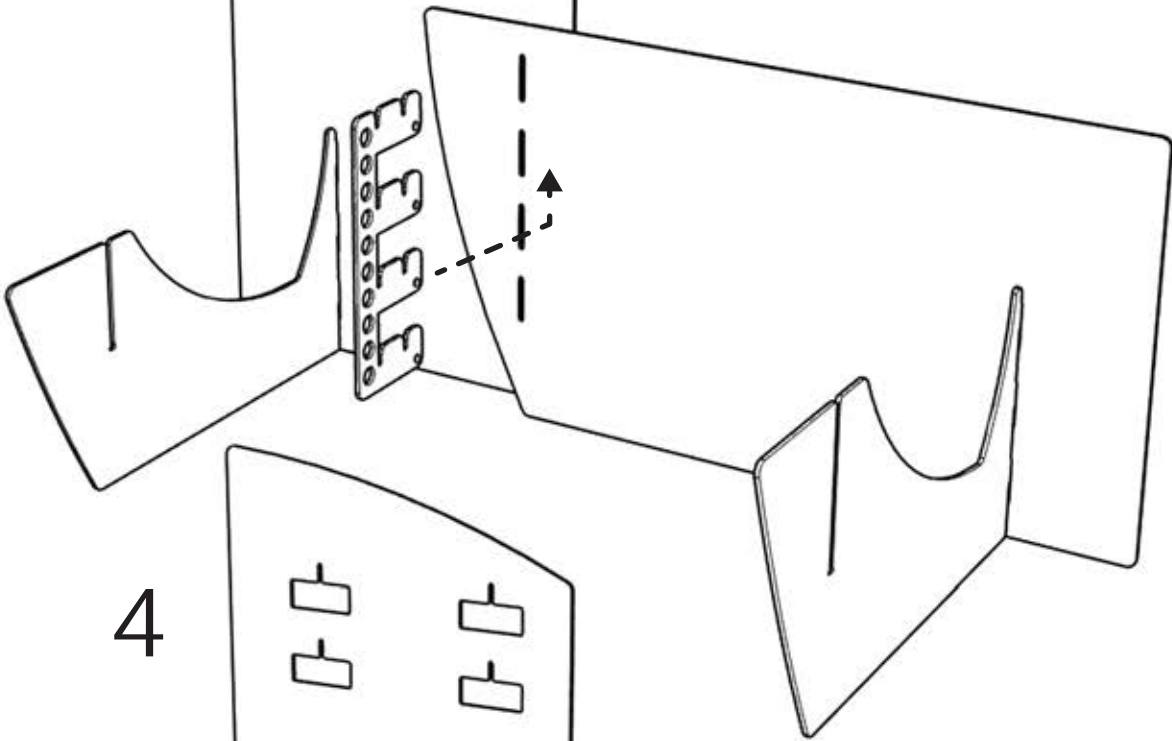
Hold the left side in place and drop the left back piece in place over the hooks.



Do the same with the right side and back piece. Move them to their final location and then proceed to the next step.

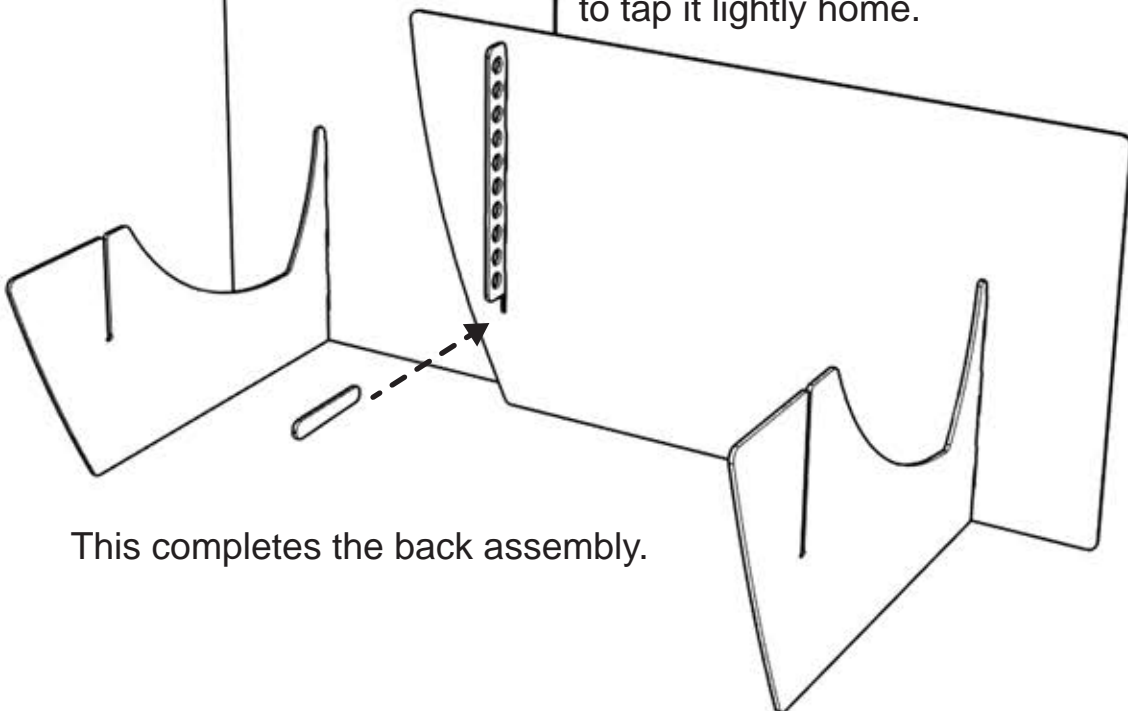
3

Place the two back sub assemblies 4.5" apart with the four slot set aligned and then insert the back connector in and upwards. Hold it in place.



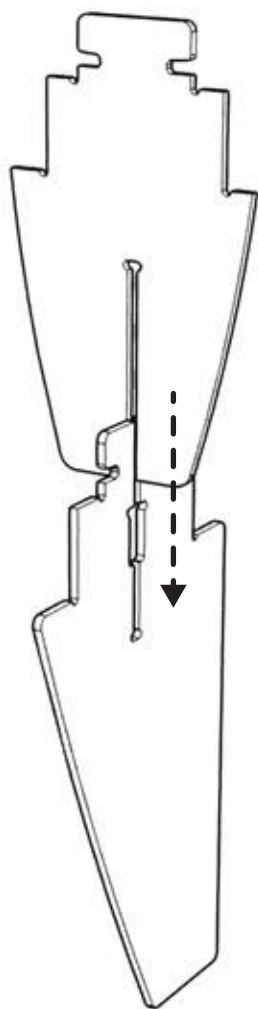
4

Insert the back wedge under the back connector and use the mallet to tap it lightly home.



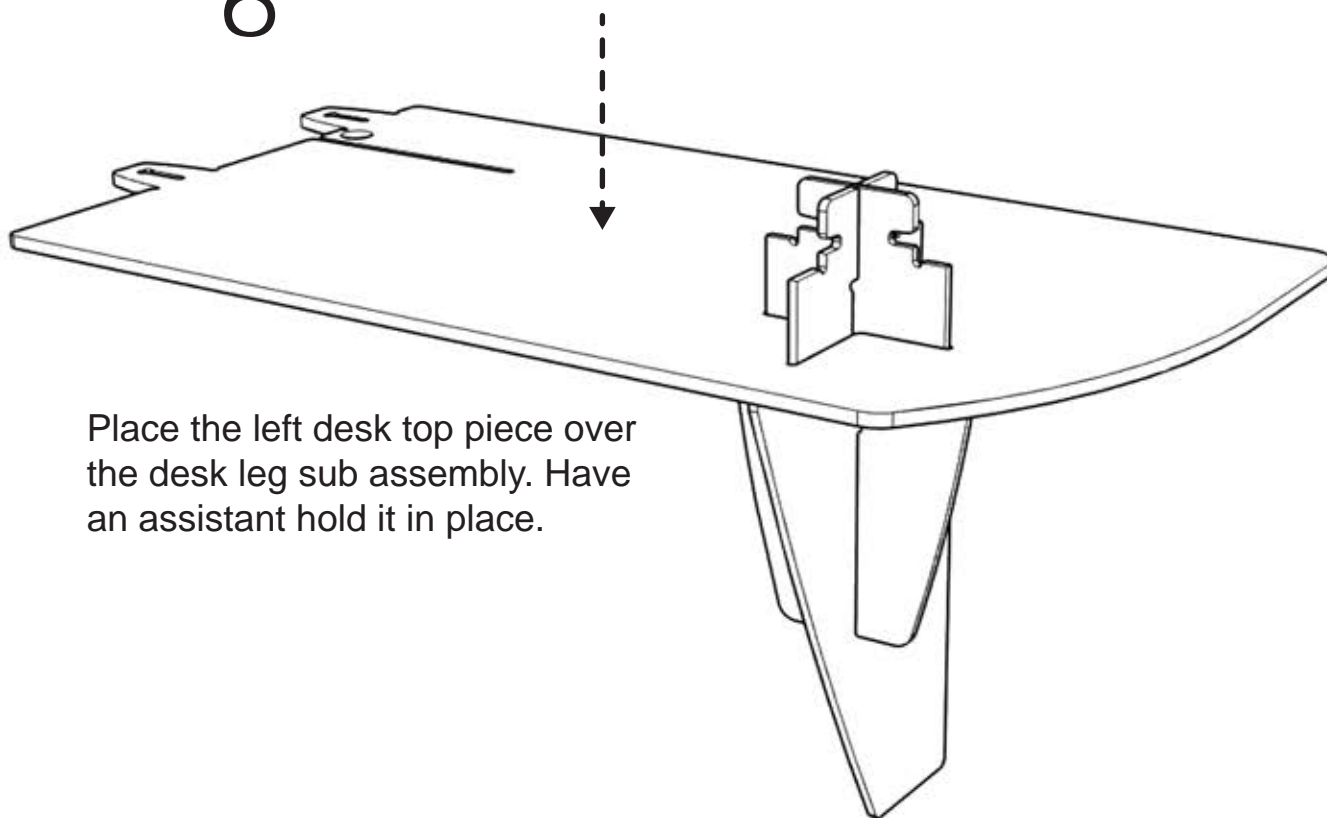
This completes the back assembly.

5



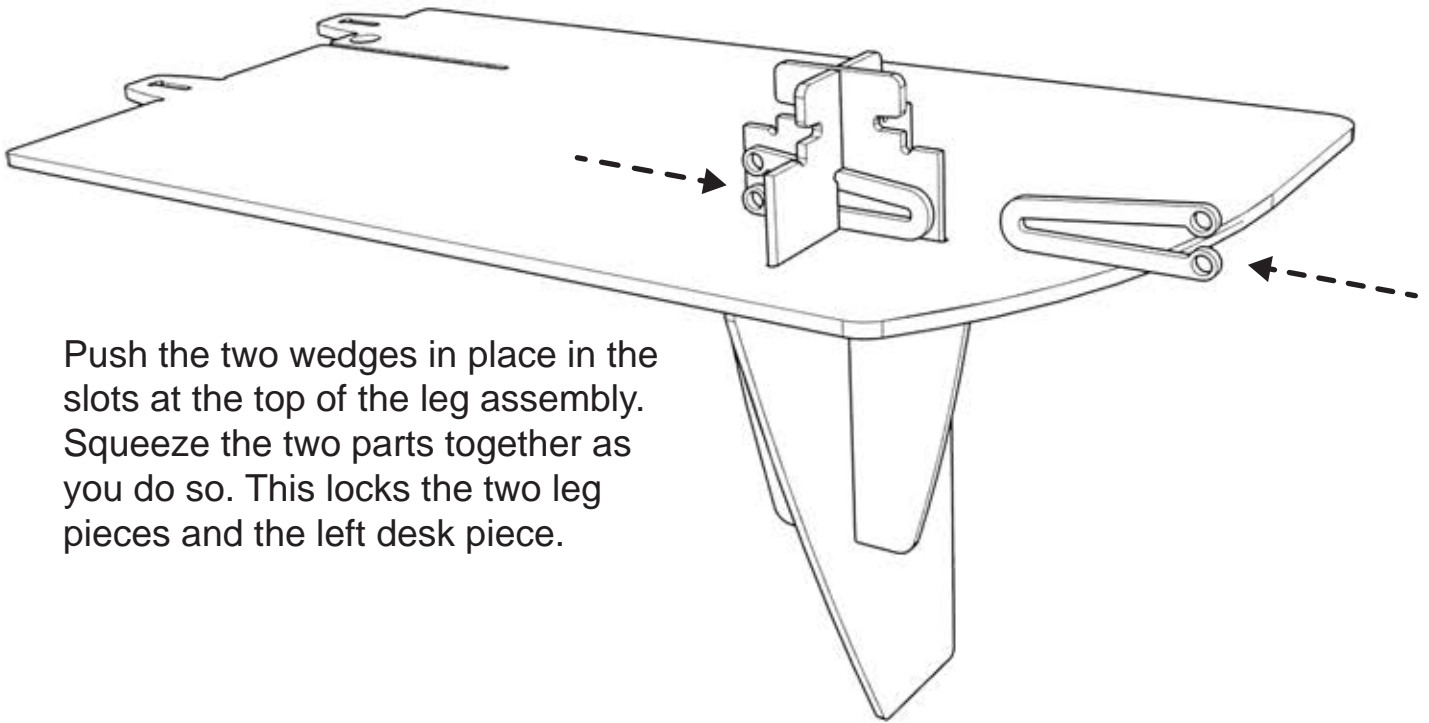
Slide the desk leg top piece over the desk leg base.

6



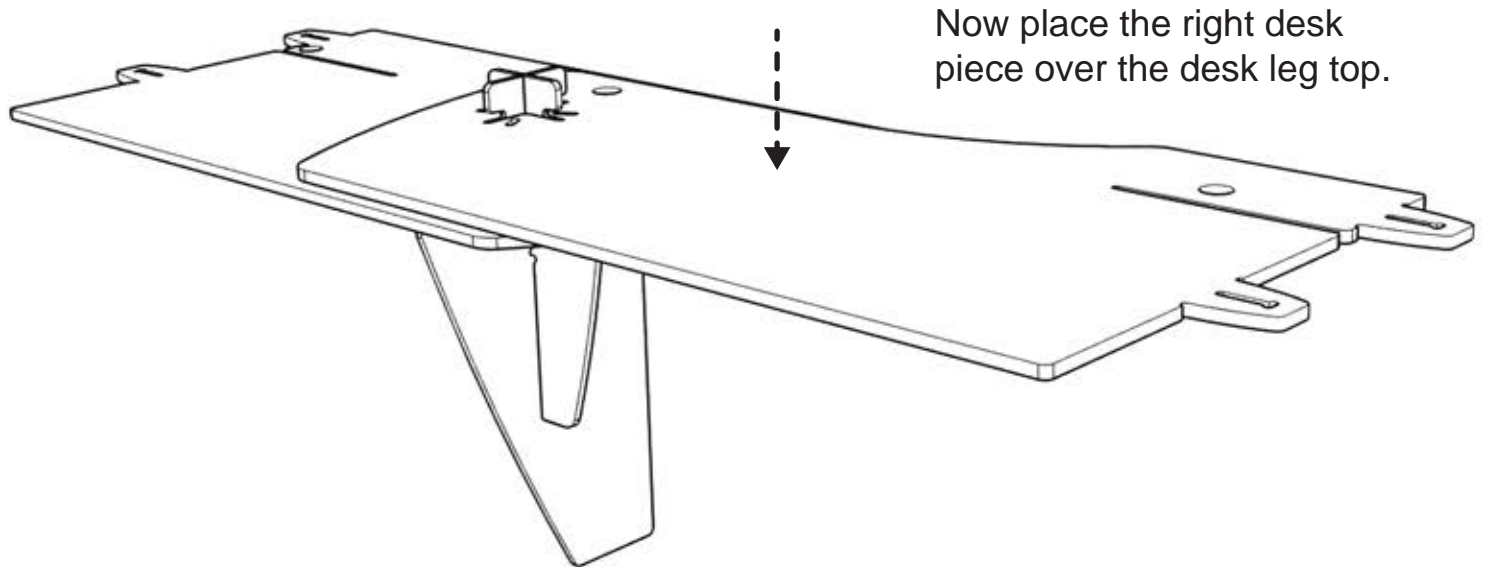
Place the left desk top piece over the desk leg sub assembly. Have an assistant hold it in place.

7



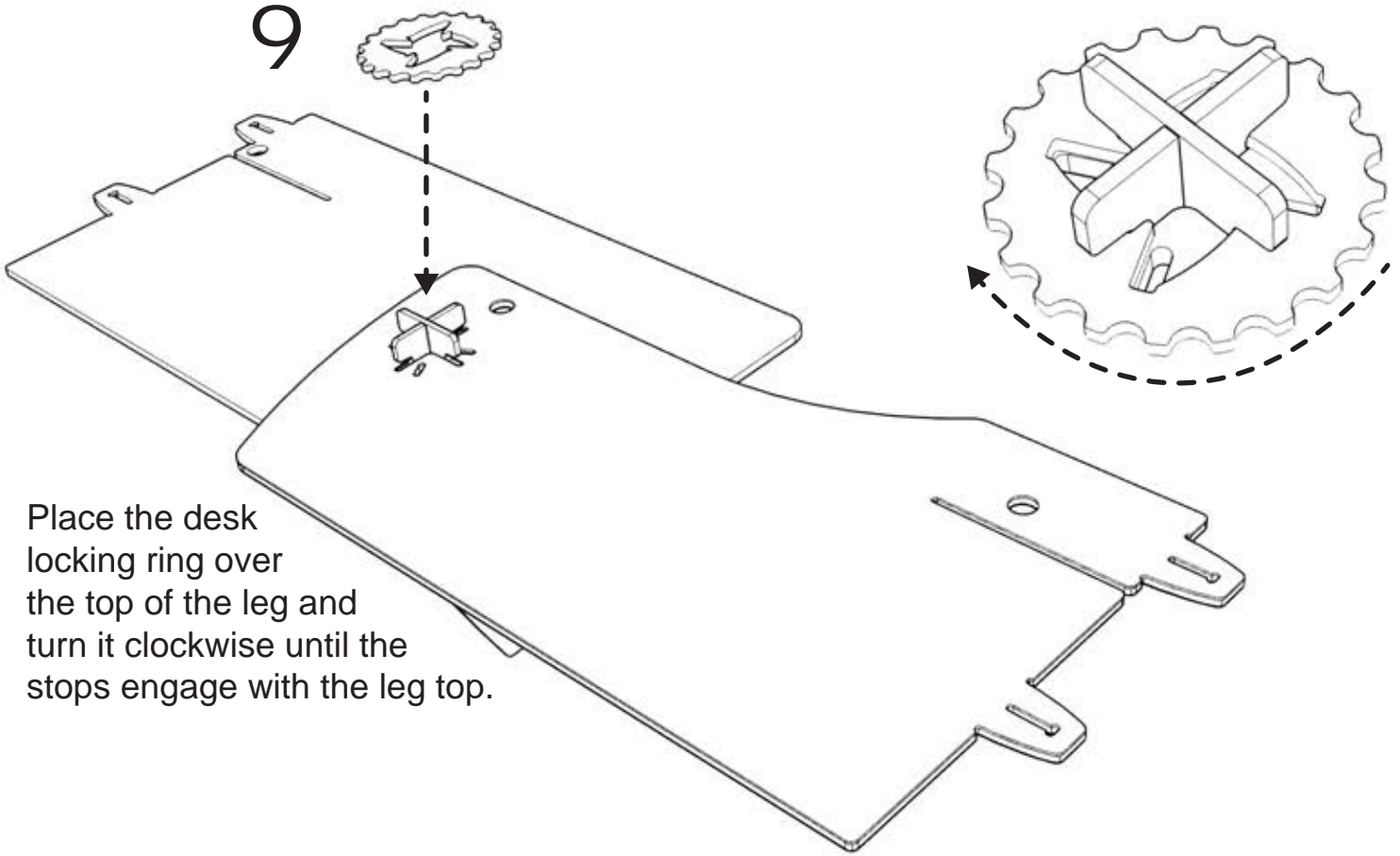
Push the two wedges in place in the slots at the top of the leg assembly. Squeeze the two parts together as you do so. This locks the two leg pieces and the left desk piece.

8



Now place the right desk piece over the desk leg top.

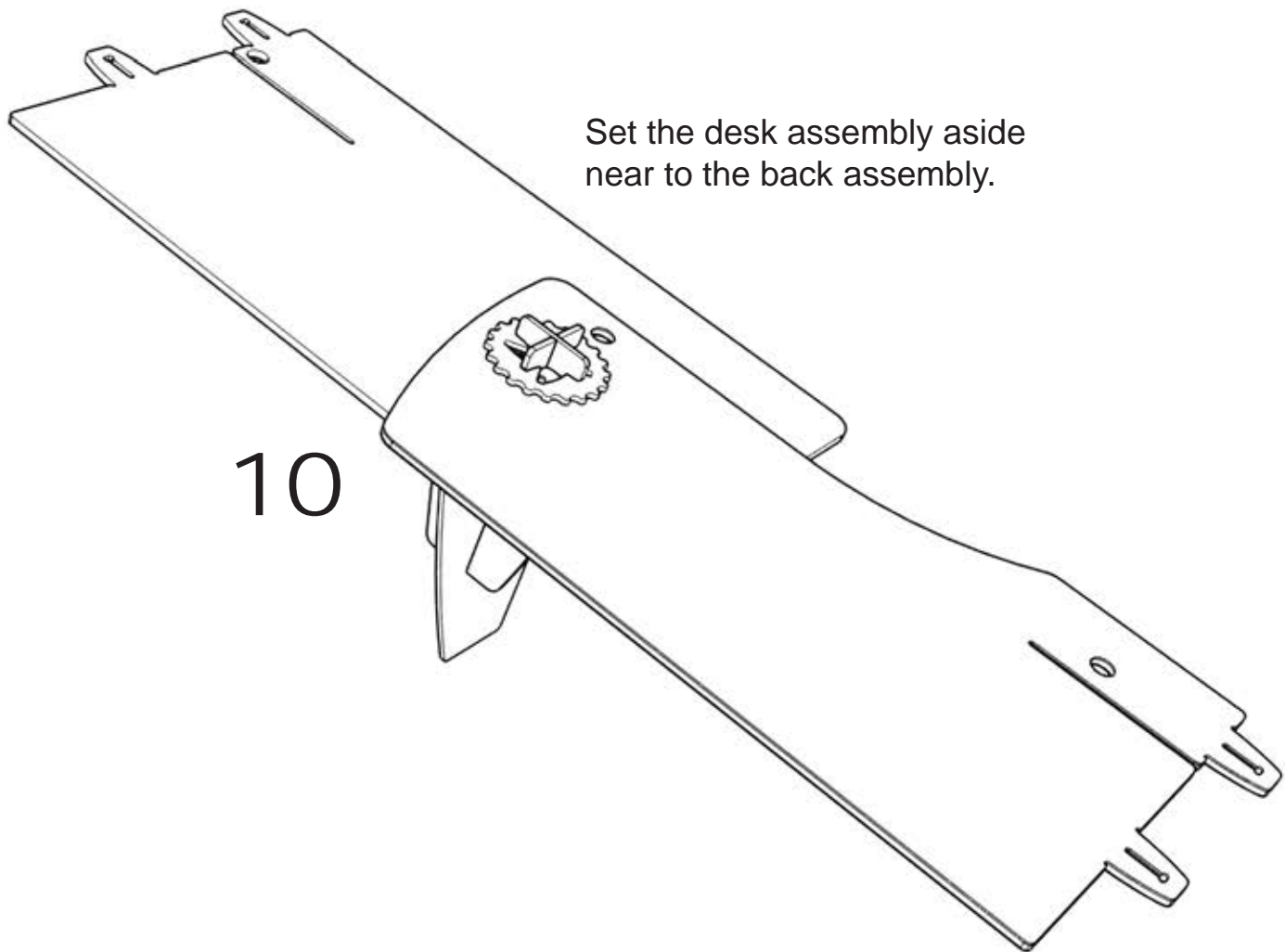
9



Place the desk locking ring over the top of the leg and turn it clockwise until the stops engage with the leg top.

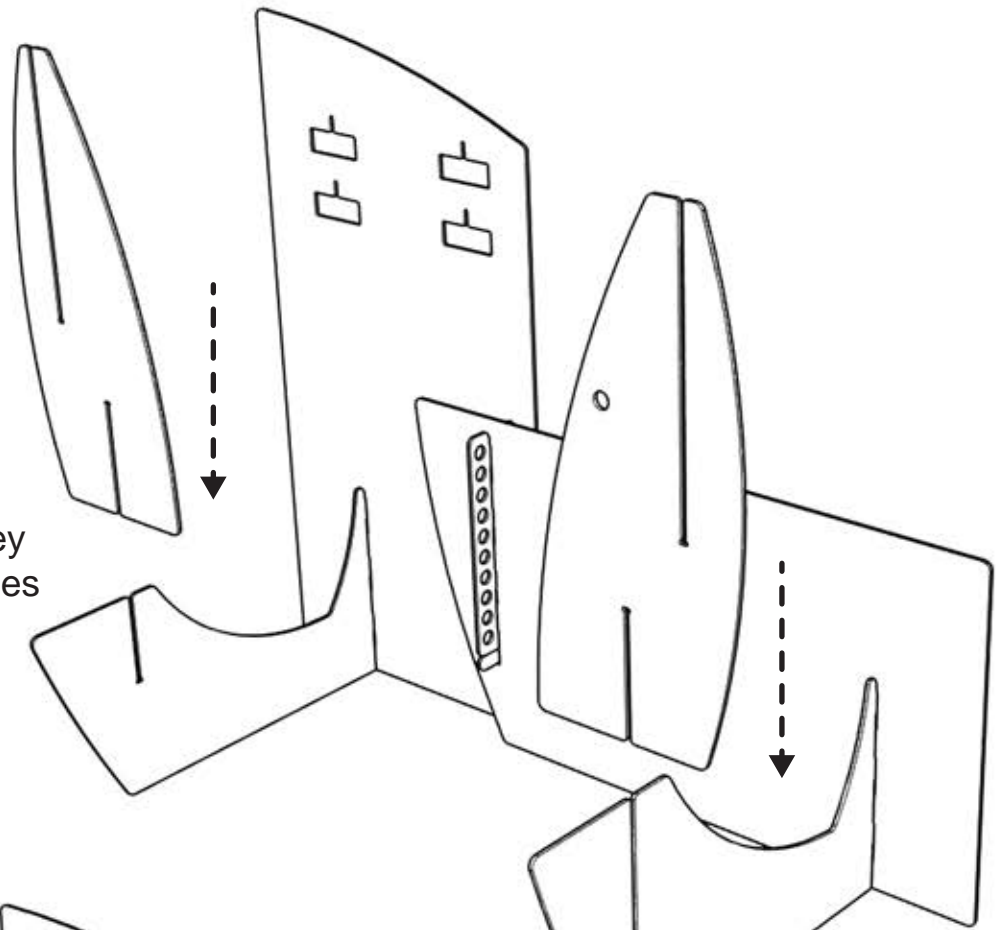
Set the desk assembly aside near to the back assembly.

10



11

Slot the triangle pieces over the sides. Note that they are not mirror images of each other.



12

Slide one of the side/triangle pieces to one side.

